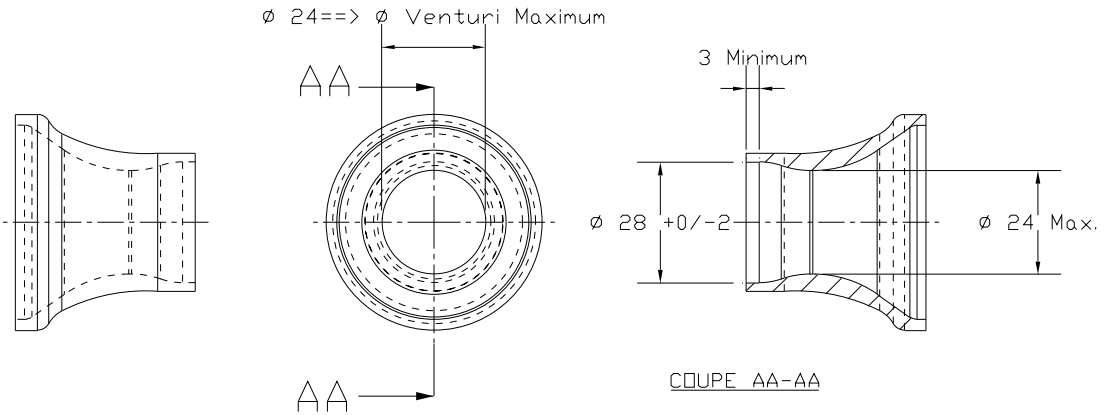


DESSIN TECHNIQUE N°3

TECHNICAL DRAWING No. 3

Carburateur

Carburettor



Cotes en/Dimensions in **mm**