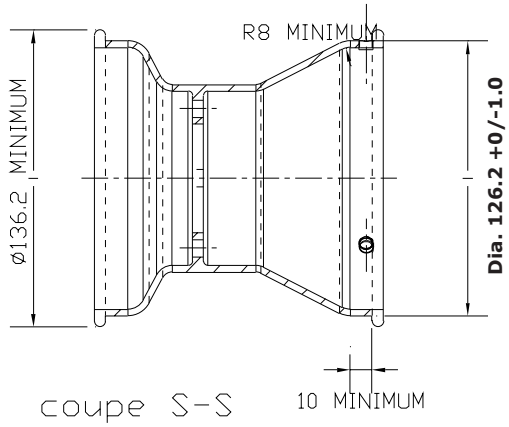
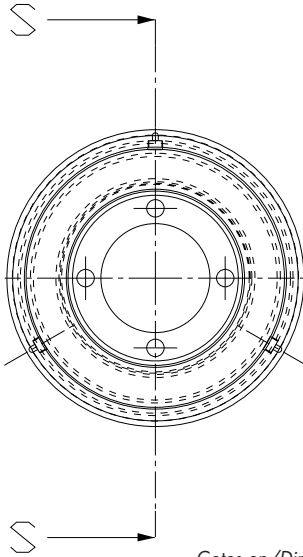


DESSIN TECHNIQUE N°4

TECHNICAL DRAWING No. 4

Jante 5"

5" Rim



Cotes en/Dimensions in mm