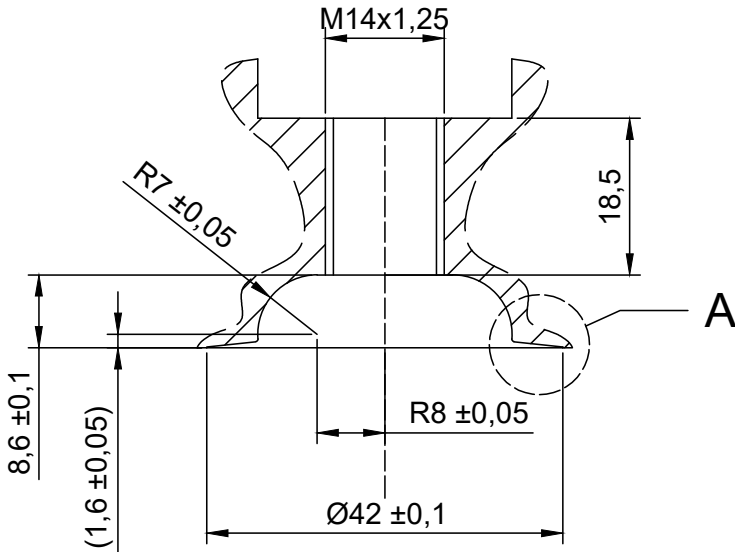


DESSIN TECHNIQUE N°25

TECHNICAL DRAWING No. 25

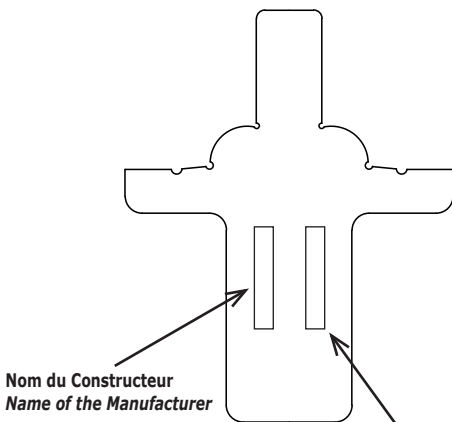
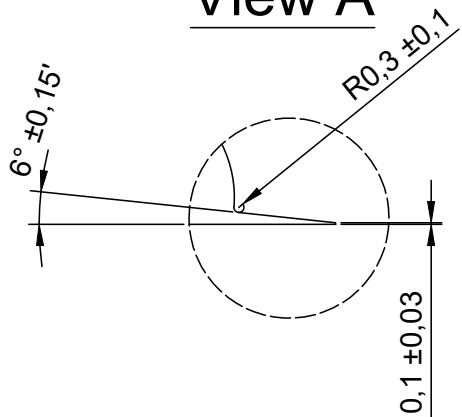
Chambre de combustion (Mini)

Combustion chamber (Mini)



Cotes en mm
Dimensions in mm

View A



N° d'homologation
Homologation No.