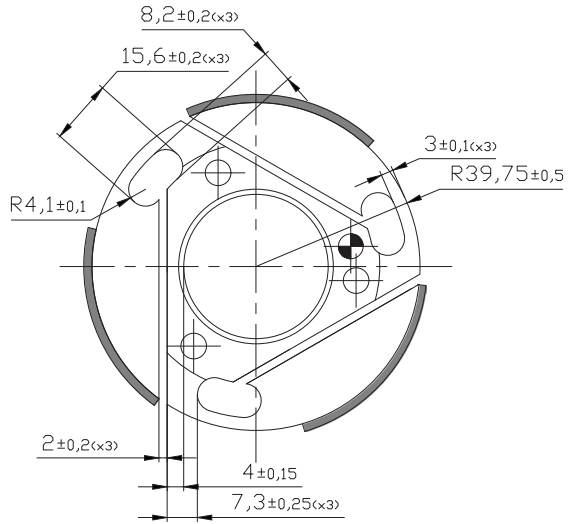
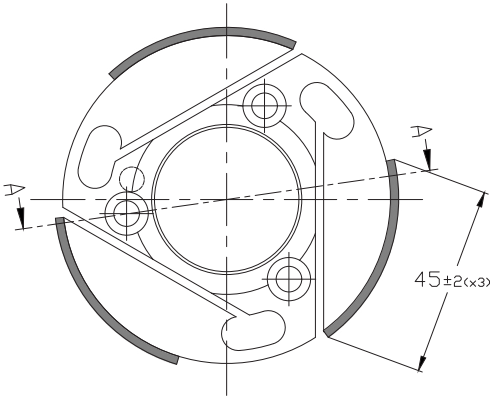


**DESSIN TECHNIQUE N°26**

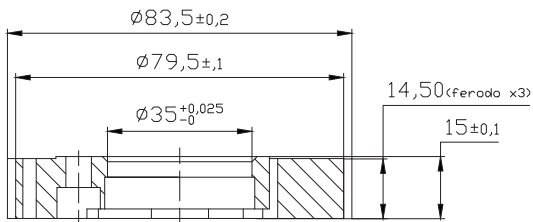
**Embrayage (Mini)**

**TECHNICAL DRAWING No. 26**

**Clutch (Mini)**



A-A



**Cotes en mm**  
**Dimensions in mm**